

# OWNER'S MANUAL

## BIG BEAR VORTEX FAN

### MODEL #BB-1

CE



#### INTRODUCTION

- OPERATION
- SAFETY
- SERVICE
- WARRANTY
- CONTACT
- SPECIFICATIONS
- TROUBLESHOOTING

PLEASE READ AND SAVE THESE  
INSTRUCTIONS

## **INTRODUCTION TO THE BIG BEAR VORTEX FAN**

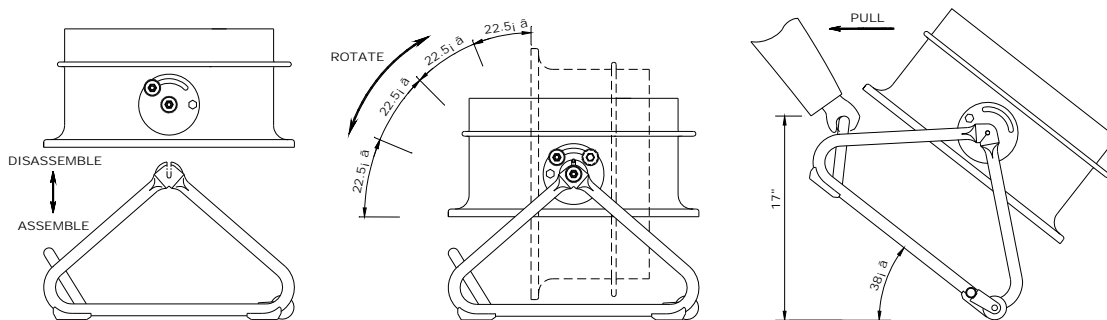
YOUR NEW **BIG BEAR FAN** HAS A 3/4 HP HIGH EFFICIENCY MOTOR WITH THE FOLLOWING FEATURES:

- STATE OF THE ART CONSTRUCTION.
- SAFETY SCREENS ON OPEN VENTS.
- EASY TO USE COMBINATION CARRYING HANDLE / CORD WRAPPING FEATURE.
- BUILT IN WHEELS FOR EASE OF MOVING.
- ADJUSTABLE FAN POSITIONS FROM 0 TO 90 DEGREES.
- 2 SPEED SWITCH.
- 3 BUILT IN WIND STABILIZING POLE RECEPTACLES.
- UNIQUE 4 POINT STABLE BASE.
- PRE-DRILLED 5/16" HOLE IN CENTER OF FAN GRILL TO ACCOMMODATE A LIGHTING SYSTEM.

## **OPERATION/USE**

THE **BIG BEAR FAN** IS SUITABLE FOR A VARIETY OF APPLICATIONS SUCH AS: ADVERTISING DISPLAYS, VENTILATION AND RESTORATION INDUSTRIES.

- A) CAREFULLY PLACE THE **BIG BEAR FAN** UNIT ON A STABLE FLAT DRY SURFACE DURING OPERATION.
- B) THE **BIG BEAR FAN** IS EQUIPPED WITH A 2" VELCRO AROUND THE OUTER PERIMETER OF THE FAN'S EXHAUST PORT.
- C) ADJUSTABLE 0 TO 90 DEGREE POSITIONING.
- D) **BIG BEAR FAN** OPERATION MUST BE SUPERVISED AT ALL TIMES.



## **STORAGE**

**STORE UNIT INDOORS IN A CLEAN DRY ENVIRONMENT TO ENSURE LONG LIFE**

## **SAFETY**

- 1) KEEP CHILDREN AND PETS AWAY FROM UNIT WHILE IN OPERATION AND/OR PLUGGED IN.
- 2) DO NOT PUT FINGERS OR OTHER OBJECTS IN UNIT WHILE IN OPERATION AND/OR PLUGGED IN.
- 3) TO AVOID ELECTRIC SHOCK DO NOT OPERATE IN POOLED WATER
- 4) UNIT MUST BE KEPT DRY AT ALL TIMES, INCLUDING MOTOR, WIRING AND EXTERIOR. IF UNIT BECOMES WET, THOROUGHLY DRY BEFORE NEXT OPERATION.
- 5) USE ONLY WITH A GROUNDED PLUG AND/OR EXTENSION CORD TO AVOID RISK OF ELECTRICAL SHOCK OR FIRE. REMEMBER NEVER TO USE A CORD WITH ANY KIND OF DAMAGE OR WEAR.
- 6) MAKE SURE THE POWER SOURCE IS SUFFICIENT TO MEET THE REQUIREMENTS OF THE BLOWER.
- 7) TO PREVENT OVERHEATING THE UNIT, KEEP AIR INTAKES CLEAR AT ALL TIMES
- 8) CLOGGING OR BLOCKING THE AIR INTAKES COULD RESULT IN A FIRE OR ELECTRICAL HAZARD.
- 9) IN ORDER TO PREVENT INJURY DO NOT REMOVE ANY SCREENS OR SAFETY GUARDS FROM THE UNIT AND TO AVOID OBJECTS FROM COMING IN CONTACT WITH THE FAN. UNIT DAMAGE IN THIS MANNER WILL VOID YOUR WARRANTY.
- 10) DO NOT OPERATE UNIT CLOSE TO ANY DANGEROUS AREAS, SUCH AS EXPLOSIVE GASES, FLAMMABLES, HEATERS AND UNVENTILATED ENVIRONMENTS, WHICH MAY RESULT IN EXPLOSIONS OR ELECTRICAL HAZARDS.
- 11) DO NOT USE ANY FORM OF SPEED CONTROL DEVICE AS DOING SO MAY CAUSE INJURY OR FIRE.
- 12) ALWAYS PLACE FAN ON A SMOOTH AND LEVELED SURFACE FOR SAFE OPERATION.
- 13) DO NOT USE UNIT IF DAMAGED.
- 14) BEFORE CLEANING OR SERVICING UNPLUG UNIT.
- 15) ALL FANS IN OPERATION MUST BE SUPERVISED AT ALL TIMES.
- 16) DO NOT SIT OR STAND ON FAN UNIT.
- 17) UNPLUG FAN WHEN NOT IN USE.
- 18) MAKE SURE FAN SWITCH IS IN "OFF" POSITION BEFORE PLUGGING INTO THE POWER SOURCE.
- 19) MAKE SURE HANDS ARE DRY BEFORE HANDLING FAN OR POWER CORD.
- 20) ONLY A QUALIFIED ELECTRICIAN SHOULD ATTEMPT TO REPAIR / REPLACE ANY ELECTRICAL COMPONENTS.
- 21) DO NOT LOOK INTO FAN OPENING IN ORDER TO AVOID ANY FLYING DEBRI FROM BLOWING INTO YOUR FACE OR EYES.

- 22) DO NOT EXPOSE TO RAIN, WATER OR SNOW.  
23) OUTDOOR USE: UNIT MUST BE CONNECTED TO A G.F.C.I (GROUND FAULT CIRCUIT INTERRUPTER) PROTECTED RECEPTACLE.

## **WARRANTY**

### **1 YEAR:**

B-AIR WILL COVER ALL PARTS (EXCEPT POWER CORD).  
WHITHIN ONE YEAR OF PURCHASE B-AIR WILL PAY REPAIR COSTS AND ONE WAY UPS GROUND SERVICE SHIPPING TO YOUR LOCATION WHITHIN THE 48 CONTIGUOUS STATES. PROOF OF PURCHASE IS REQUIRED.  
CUSTOMER IS RESPONSIBLE FOR SHIPMENT OF DAMAGED UNIT TO B-AIR WAREHOUSE FOR REPAIR.  
CANADA AND NON-CONTIGUOUS STATES MUST PAY FREIGHT BOTH WAYS.

### **5-YEAR:**

B-AIR WILL COVER HOUSING FROM DATE OF ORIGINAL PURCHASE. PROOF OF PURCHASE IS REQUIRED.

## **SERVICE**

IN ORDER TO RECEIVE SERVICE OR REPLACEMENT PARTS UNDER WARRANTY, YOU MUST:

- A) CALL FOR A RMA# (Return Merchandise Authorization Number)
- B) HAVE PROOF OF PURCHASE
- C) SHIP TO B-AIR BLOWER
  - IF IMMEDIATE SERVICE IS REQUIRED, B-AIR WILL SHIP A REFURBISHED FAN IMMEDIATELY TO REPLACE THE ONE REQUIRING SERVICE PROVIDED A VALID CREDIT CARD IS PROVIDED AND CHARGED. ONCE WE RECEIVE YOUR FAN, WE WILL CREDIT YOUR CREDIT CARD ACCOUNT.
  - WE WILL GLADLY REPAIR YOUR FAN AND SHIP WITHIN 24 HOURS

UPON INSPECTION, WE WILL ADVISE YOU OF THE REPAIRS NEEDED AND THE COST (IF APPLICABLE).  
B-AIR WILL ISSUE REPAIR OR REPLACEMENT PARTS DEPENDING ON WARRANTY.

## **CORDS**

- 1) DO NOT USE EXTENSION CORDS FOR OUTSIDE USE.

- 2) USE 3 PRONG ADAPTORS THAT ARE UL AND CE APPROVED AND NOT LESS THAN 16-3 WITH GROUND FAULT CIRCUIT INTERRUPTER (GFCI).
- 3) DO NOT USE CORDS THAT SHOW ANY KIND OF WEAR OR DAMAGE.
- 4) CORDS ARE NOT COVERED BY WARRANTY.

## **BIG BEAR FAN LIMITED WARRANTY**

### **COVERS**

- 1) **BIG BEAR FAN** IS COVERED AGAINST DEFECTS IN MATERIAL AND CRAFTSMANSHIP USED UNDER NORMAL INTENDED USE TO ORIGINAL PURCHASER FOR A TERM OF (1) ONE-YEAR FROM THE ORIGINAL DATE OF PURCHASE INCLUDING PARTS, LABOR AND SHIPPING.
- 2) **BIG BEAR FAN** HOUSING IS COVERED FOR A TERM OF (5) FIVE FULL YEARS FROM THE DATE OF THE ORIGINAL PURCHASE.

### **DOES NOT COVER**

- 1) ANY SIGNS OF MISUSE INCLUDING, BUT NOT LIMITED TO ROUGH HANDLING, ABUSE, TAMPERING, IMPROPER VOLTAGE USE, AND UNAUTHORIZED MAINTENANCE AND REPAIRS.

## **WARNING**

**BIG BEAR FAN MUST BE SUPERVISED AND ATTENDED AT ALL TIMES. THE USE OF A 3-PRONG TO 2-PRONG ADAPTER IS PROHIBITED. ONLY USE A 2-PRONG TO 2-PRONG ADAPTER.**

**IF THE POWER SUPPLY CORD IS DAMAGED, IT MUST BE REPLACED BY THE MANUFACTURER, ITS SERVICE AGENT OR SIMILARLY QUALIFIED PERSONS IN ORDER TO AVOID A HAZARD.**

## **CONTACT**

**INTERTEX, INC. / B-AIR BLOWERS**

**1851 TYBURN STREET**

**GLENDAL, CA 91204**

**1-877-800-2247 (BAIR)**

**FAX: (818) 242-2430**

**EMAIL: [info@b-air.com](mailto:info@b-air.com)**

**WEB SITE: [www.b-air.com](http://www.b-air.com)**

## **SPECIFICATIONS**

### **MODEL# BB-1**

VOLTS	115 V	230 V
CYCLE	60 Hz	50 Hz
MAX AIR VOLUME	5080 CFM	5450 CFM
AMPS	5.8A	4.5A
MAX STATIC PRESSURE	1.8 INCH	1.8 INCH
WEIGHT NET/SHIP	43/47 LBS	43/47 LBS
UNIT SIZE (L x W x H)	23"x 22.5"x 14"	23"x 22.5"x 14"
FAN SPEED (RPM)	L 3300 / H 3500	L 2500 / H 2840
MOTOR	3/4 HP	3/4 HP
ATTACHED CORD (16G)	25 FT	25 FT
SPEEDS	2	2
STAND HEIGHT	18.5"	18.5"
MAX TUBE CAPACITY	70'	70'
OUTLET DIMENSION	55.5"	55.5"

## **TROUBLESHOOTING**

<b><u>PROBLEM</u></b>	<b><u>POSSIBLE CAUSE</u></b>	<b><u>SOLUTION</u></b>
Motor Not Running	a) Switch is OFF	a) Turn Switch ON
	b) Bad Outlet	b) Check Outlet/ Change to Another Outlet
	c) Faulty Switch/Cord	c) Call Factory for new Switch/Replace Cord
Scraping Noise From fan blade	a) Fan blade loose	a) Call Factory for advice