



READ AND KEEP THESE IMPORTANT INSTRUCTIONS
Under Cabinet Air Circulator Owner's Guide

LIRE ET CONSERVER CES INSTRUCTIONS IMPORTANTES
Guide de l'utilisateur du ventilateur intégral de pièce

LEA Y TENGA EN CUENTA ESTAS INSTRUCCIONES IMPORTANTES
Guía del propietario del Circulador de Aire para
toda la habitación



www.vornado.com

CL3-0166 Rev-

Important Instructions

Your Vornado Air Circulator has a polarized plug. (One blade is wider than the other.) To reduce the risk of electrical shock, this plug is intended to fit in a polarized outlet only one way. If the plug does not fit fully in the outlet, reverse the plug. If it still does not fit, contact a qualified electrician. Do not attempt to defeat this safety feature.

WARNING – To reduce the risk of fire or electrical shock, do not use this product with any solid state speed control device.

Do unplug your circulator before cleaning.

Do clean your Vornado Air Circulator regularly.

Refer to the CLEANING instructions provided. Never clean the air circulator in any manner other than as instructed in this manual.

Do Not use gasoline, thinners, solvents, ammonias or other chemicals for cleaning.

Do Not immerse this product in water or allow water to drip into the motor housing.

Do Not use near furnaces, fireplaces, stoves or other high-temperature heat sources.

Do Not position this product too close to draperies because they may be drawn into the rear grill, cutting off airflow.

Do Not use this product outdoors.

Do Not use this product on wet surfaces.

Do Not use this product in a bathtub or shower.

Do Not use this product if it has a damaged cord or plug.

Do Not carry this product by the cord, or use the cord as a handle.





Do Not attempt to repair or replace parts.

Do use common sense when using this product and/or any electrical appliance.

How To Use

After mounting your Vornado® Under Cabinet Air Circulator under the cabinet, wrap excess cord around base and secure with cord retaining clip, only allowing enough cord to reach the receptacle. Simply plug in and enjoy its cooling effect. The Vornado Under Cabinet Air Circulator features Vornado's signature Vortex Technology to move air up to 25 feet. Direct the beam of air at you to create a nice breeze, or away from you to create swirling currents of air, rejuvenating your personal space. Position the adjustable head to blow air directly on the countertop surface to cool food or in the workshop to dry projects. With the slim, flip up design, it can be stored away when not in use.

Features & Benefits

Feature	Benefit
 <p data-bbox="215 636 347 678">2 Speeds</p>	<p data-bbox="501 495 1479 537">2 speed: Press "I" for Low Speed, "II" for High Speed, and "O" for Off.</p>
 <p data-bbox="155 972 407 1014">Directable Airflow</p>	<p data-bbox="501 831 938 873">Pivots side-to-side 360 degrees.</p>
 <p data-bbox="188 1308 375 1350">Cord Storage</p>	<p data-bbox="501 1129 1474 1255">Wrap excess cord around base, leaving only enough cord to reach the receptacle. Route the cord safely away from heat and moisture sources using the clip provided to secure into place.</p>
 <p data-bbox="139 1644 423 1686">Flips Up Out of View</p>	<p data-bbox="501 1493 1170 1535">When not in use, turn off and flip up out of sight.</p>

Where To Use

Ideal Rooms Kitchen, Workshop, Craft Room, Bar, Garage, Laundry Room, Office

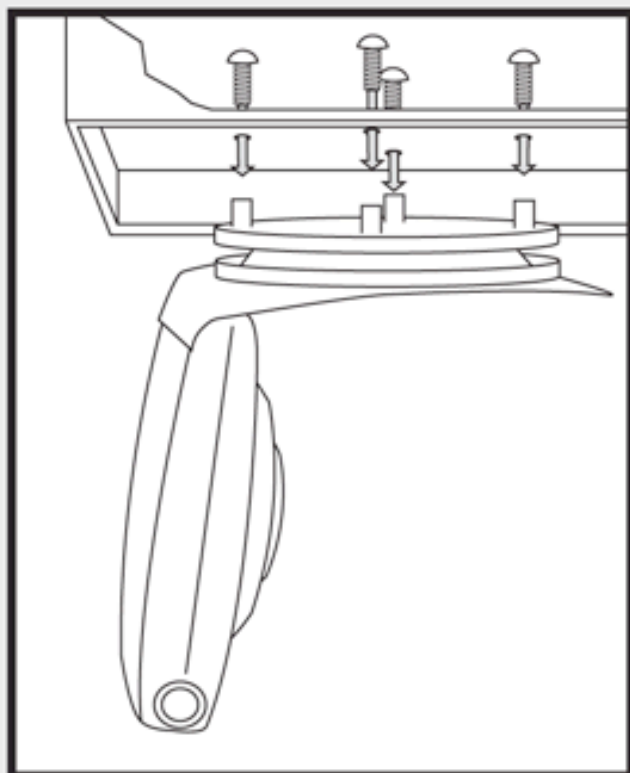
Installation Instructions

Tools Needed:



Cabinet construction and thickness will vary, directions are for most common installation.

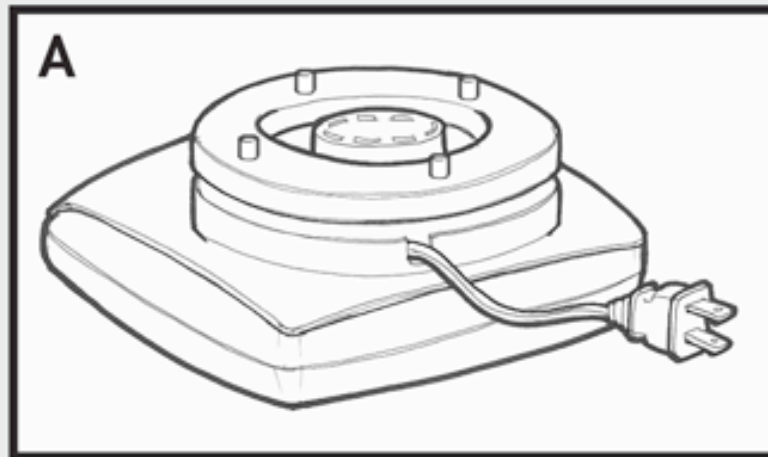
1. Choose an appropriate mounting location underneath a cabinet or shelf. Close proximity to an electrical outlet (within cord reach) and 12" height clearance is necessary. Do not mount the Under Cabinet Circulator above a range or oven. Use template to make sure there is adequate clearance around the unit to allow for the circulator's rotation. Do not attempt to modify the template. Clear contents of the shelf before installing the unit.



2. Tape template to the underside of cabinet. Mark the holes by punching through the template on the (4) dots indicated. Remove the template.
3. Carefully drill (4) 7/32 diameter holes at the locations marked, making sure to drill as straight as possible. Clean debris.
4. Drop bolts through holes and align with the (4) raised posts on the circulator on the underside of the cabinet. Loosely start all (4) bolts, then tighten.

Installation Instructions (con't)

5. While holding, carefully pull on the unit to make sure it is securely attached.
6. Unwrap enough cord to reach the plug in (A). Route the cord safely away from heat and moisture sources, using the clip provided to secure into place.



Cleaning & Maintenance



The motor is permanently lubricated and requires **no oiling**.

Because your Air Circulator moves a substantial amount of air, it will need regular cleaning. **Unplug the unit before any cleaning activity.**



To clean motor cap and inlet ribs: Use a common household vacuum. Do not use water to clean these parts of the Air Circulator.

To clean grill: Unplug unit. Remove screw and rotate the grill counterclockwise to unlock and then lift off. To reinstall the grill, position the grill with the logo rotated slightly to the left and rotate clockwise. Dust or wash with a mild dishwashing soap. Do not place grill in the dishwasher. The excessive heat can distort the plastic.



To clean blade: Wipe with a damp cloth. If your Air Circulator is used in a greasy environment, such as a kitchen, mild soap or a common household cleaner may be necessary. Do not use solvents.

To clean base: Wipe with a damp cloth.



Signature Vortex Circulation™



Vornado signature grill focuses air into a tight beam traveling up to 25 feet

Inlet Air Accelerator initiates Vortex Circulation



Innovation

Leaders In Airflow Technology™

Vornado® continues to lead with the most advanced air comfort products available, including: Whole Room Air Circulators, Heaters and Humidifiers. Also, introducing a new line of personal products including the SoleAire™ foot heater and massage and the Flippi™ personal air circulator.

Innovation

Leaders In Airflow Technology™

Vornado®, le chef de file de la technologie de la circulation d'air, continue de paver la voie avec ses produits d'air de confort les plus novateurs qui soient sur le marché, y compris : ventilateurs pour une circulation d'air totale au sein d'une pièce, chaufferettes et humidificateurs. Sans oublier la nouvelle gamme de produits personnels qui comprend la chaufferette et le dispositif de massage de pieds SoleAire™ et le ventilateur personnel Flippi™.

Innovación

Líderes En Airflow Technology™

Vornado® continúa siendo líder con los productos de comodidad de aire más avanzados disponibles, incluyendo: Circuladores de Aire, Calentadores y Humidificadores Para Todo el Cuarto. También, presentando una nueva línea de productos personales incluyendo el calentador y máquina de masaje para pies SoleAire™ y el circulador de aire personal Flippi™.



Find out more at www.vornado.com

Vornado Air LLC 5-Year Limited Warranty

Vornado Air LLC ("Vornado") warrants to the original consumer or purchaser this Vornado® Under Cabinet Air Circulator ("Product") is free from defects in material or workmanship for a period of five (5) years from the date of purchase. If any such defect is discovered within the warranty period, Vornado, at its discretion, will repair or replace the Product at no cost if the Product is returned to Vornado postage-paid. Repairs not covered by the warranty or outside the warranty period will require a fee to cover the cost of materials, labor, handling and shipping.

This warranty does not apply to defects resulting from abuse of the Product, modification, alteration, repair or service of the Product by anyone other than Vornado, mishandling, improper maintenance, commercial use of the Product, damages which occur in shipment or are attributed to acts of God.

REPAIR OR REPLACEMENT AS PROVIDED UNDER THIS WARRANTY IS THE EXCLUSIVE REMEDY OF THE CONSUMER. VORNADO SHALL NOT BE LIABLE FOR ANY INCIDENTAL OR CONSEQUENTIAL DAMAGES FOR BREACH OF ANY EXPRESS OR IMPLIED WARRANTY ON THIS PRODUCT. EXCEPT TO THE EXTENT PROHIBITED BY APPLICABLE LAW, ANY IMPLIED WARRANTY OF MERCHANTABILITY OR FITNESS FOR A PARTICULAR PURPOSE ON THIS PRODUCT IS LIMITED IN DURATION TO THE DURATION OF THIS WARRANTY.

Some states do not allow the exclusion or limitation of incidental or consequential damages, or allow limitations on how long an implied warranty lasts, so the above limitations or exclusions may not apply to you. This warranty gives you specific legal rights, and you may have other rights that vary from state to state.

For warranty or repair service, call 1-800-234-0604 or email consumerservice@vornado.com to obtain a Return Authorization ("RA") form. Please have or include your Product's model number and serial number, as well as your name, address, city, state, zip code and phone number when contacting Vornado for warranty service. After receiving the RA form, ship your Product postage-paid with a check or money order for \$20.00 to cover return shipping and handling along with a copy of the original dated receipt of purchase to:

Vornado Air LLC
Attn: Warranty & Repair
415 East 13th Street
Andover, KS 67002

For your convenience, please have your model number and serial number when contacting Vornado with service inquiries.

To assure proper handling, packages must be clearly marked with the RA number. Packages not clearly marked with the RA number may be refused at the receiving dock. Please allow 1-2 weeks for repair and return of your Product after the Product is received.

For your records: Staple or attach your original sales receipt to this Owner's Guide. Please also write your products's serial number below (located on product specs decal).

Serial No. _____

Product registration available online at www.vornado.com

© 2009 Vornado Air LLC Andover, KS 67002

Patent Pending. Specifications subject to change without notice.

Vornado® and Leaders in Airflow Technology™ are trademarks owned by Vornado Air LLC.

www.vornado.com 1-800-234-0604 consumerservice@vornado.com